

SENTRY® WARNING BEACON



Sentry® warning beacons have a compact housing that can mount in almost any location.

Federal Signal's Sentry® beacon is a reliable, effective warning light in an attractive, compact package. The light's design is the result of Federal's many years of experience as the leader in vehicle warning beacons.

The Sentry's large parabolic reflector and brilliant 55-watt halogen bulb combine to produce an intense 80,000 candelas per flash. This beacon is available in 12 or 24 volts and offers excellent 360° warning coverage with 95 or 175 flashes per minute rotators.

A Sentry beacon is easy to maintain. All exposed materials are non-corrosive, high-impact

polycarbonate, which provide extended service life. It has a twist-off dome, and all major components are field replaceable without the use of tools.

Three mounting options are available: a permanent surface mount with a vibration absorbing neoprene mounting pad; a magnetic mount with a 10' cord and cigarette lighter plug, and a pipe mount with 1/2-inch female thread. For high vibration applications, an optional vibration mount kit can extend the service life of your Sentry beacon.

QUICK REFERENCE

FEATURES

- Powerful 80,000 candela halogen rotator.
- Twist-off dome for easy maintenance.
- Compact housing mounts virtually anywhere.
- Field replaceable parts.
- Rugged, non-corrosive polycarbonate housing.

APPLICATIONS

- Fire/EMS apparatus
- Utility vehicles

APPROVALS

- SAE J845
- NFPA compliant when used as part of a complete system
- SAE J845 compliant when used as part of a complete system

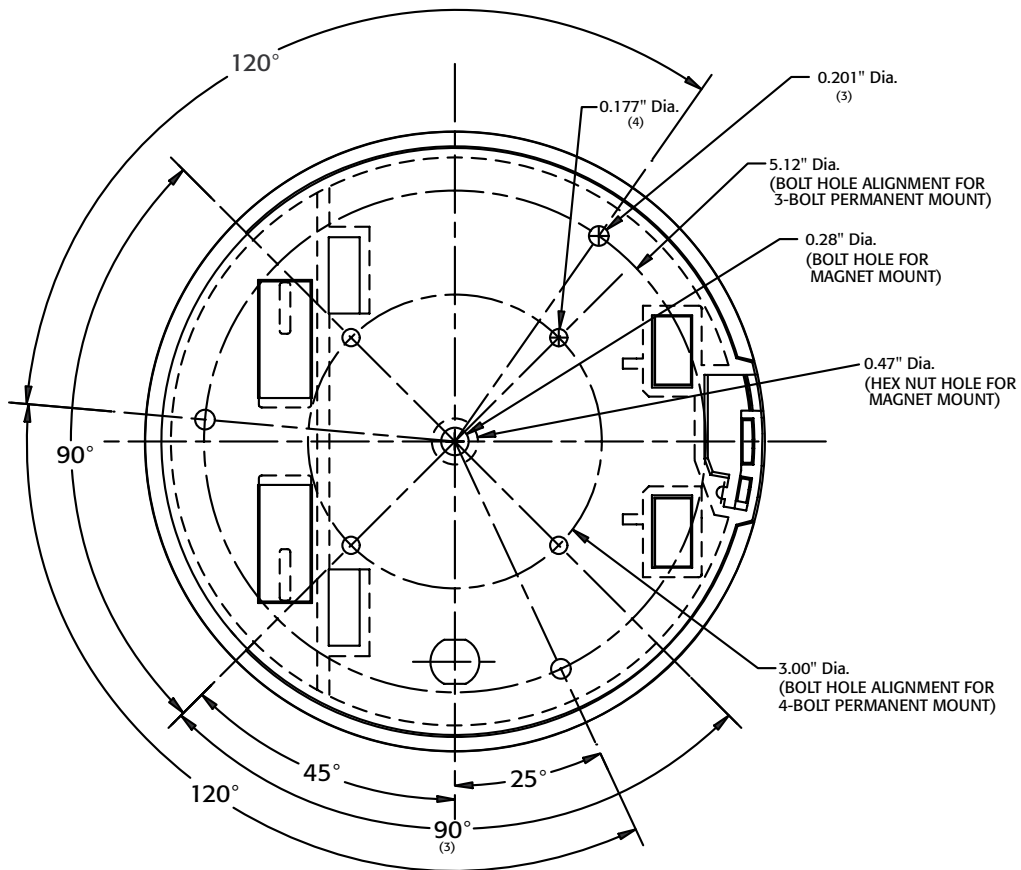
REPLACEMENT PARTS

Motor, 12V, 95 FPM	Z8559A055A
Motor, 12V, 175 FPM	Z8559A055A-01
Motor, 24V, 95 FPM	Z8440A265A
Bulb, 12V	Z8444A151A
Bulb, 24V	Z8440A265A-01
Dome, clear	Z8433001A
Dome, red	Z8433001A-01
Dome, amber	Z8433001A-02
Dome, blue	Z8433001A-03
Dome, green	Z8433001A-04
Dome, CIE blue	Z8433001A-05

RELATED PRODUCTS

Model 100 Rotating Beacon
Bulletin #4100
IVP Rotating Beacon
Bulletin #4128

MOUNTING DIAGRAM



How To Order

1. Specify a model.

- SY12SS** 95 FPM rotator, 12V, surface mount
- SY12FS** 175 FPM rotator, 12V, surface mount
- SY24SS** 95 FPM rotator, 24V, surface mount
- SY12SM** 95 FPM rotator, 12V, magnetic mount
- SY12FM** 175 FPM rotator, 12V, magnetic mount
- SY24SM** 95 FPM rotator, 24V, magnetic mount
- SY12SP** 95 FPM rotator, 12V, pipe mount
- SY12FP** 175 FPM rotator, 12V, pipe mount
- SY24SP** 95 FPM rotator, 24V, pipe mount

2. Specify dome color: red, blue, amber, clear, green, or CIE blue.

3. If necessary, order optional vibration mount kit.

- SYVMK** Vibration mount kit

FACTORY SET SPECIFICATIONS			
Model	Lamp	Candelas	Current Draw
SY12	55W	80,000	4.2 amps @ 12.8 volts
SY24	70W	95,000	3.0 amps @ 24.0 volts

DIMENSIONS						
Model	Height		Diameter		Ship. Weight	
	in.	cm.	in.	cm.	lbs.	kg.
SY12SS	6.5	16.5	6.5	16.5	2.0	0.9
SY12FS	6.5	16.5	6.5	16.5	2.0	0.9
SY24SS	6.5	16.5	6.5	16.5	2.0	0.9
SY12SM	6.9	17.5	6.5	16.5	2.0	0.9
SY12FM	6.9	17.5	6.5	16.5	2.0	0.9
SY24SM	6.9	17.5	6.5	16.5	2.0	0.9
SY12SP	7.3	18.4	6.5	16.5	2.0	0.9
SY12FP	7.3	18.4	6.5	16.5	2.0	0.9
SY24SP	7.3	18.4	6.5	16.5	2.0	0.9